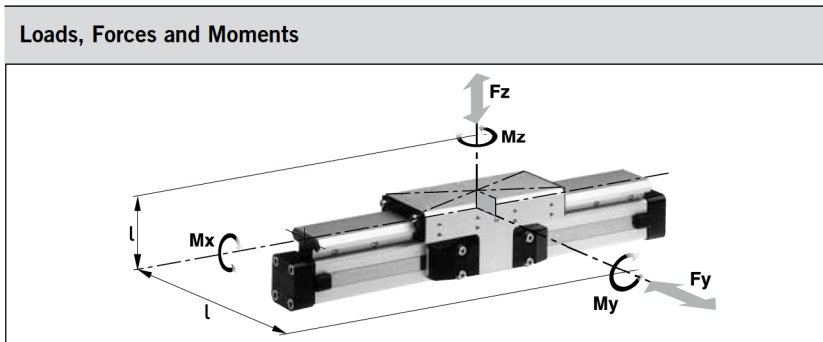


**Integrated Brake (optional)
for series OSP-P25 to OSP-P50:**

- Actuated by pressure
- Released by exhausting and spring return

For further technical data see also linear drives OSP-P (from page 15)



Technical Data

The table shows the maximum permissible values for smooth operation, which should not be exceeded even under dynamic conditions.

The load and moment figures apply to speeds $v < 0.2$ m/s.

*** Please note:**
In the cushioning diagram, add the mass of the guide carriage to the mass to be cushioned.

Plain Bearing Guide SLIDELINE



**Series SL 16 to 80
for Linear-drive**
• Series OSP-P

Features:

- ATEX-version (without brake) is also available (see page 35-36)
- Anodised aluminium guide rail with prism-shaped slideway arrangement
- Adjustable plastic slide elements – optional with integral brake
- Composite sealing system with plastic and felt wiper elements to remove dirt and lubricate the slideways
- Corrosion resistant version available on request
- Any length of stroke up to 5500 mm (longer strokes on request)

¹⁾ Only with integrated brake: Braking force on dry oil-free surface. Values are decreased for lubricated slideways.
²⁾ Corrosion resistant fixtures available on request

Series	For linear drive	Max. moments [Nm]			Max. loads [N] F _y , F _z	Maximum braking force at 6 bar [N] ¹⁾	Mass of linear drive with guide [kg]		Mass * of guide carriage [kg]	Order-No. ** SLIDELINE ²⁾ Guide without cylinder	
		M _x	M _y	M _z			with 0 mm stroke	increase per 100 mm stroke		without brake	with brake
SL16	OSP-P16	6	11	11	325	-	0.57	0.22	0.23	20341	-
SL25	OSP-P25	14	34	34	675	325	1.55	0.39	0.61	20342	20409
SL32	OSP-P32	29	60	60	925	545	2.98	0.65	0.95	20196	20410
SL40	OSP-P40	50	110	110	1600	835	4.05	0.78	1.22	20343	20411
SL50	OSP-P50	77	180	180	2000	1200	6.72	0.97	2.06	20195	20412
SL63	OSP-P63	120	260	260	2500	-	11.66	1.47	3.32	20853	-
SL80	OSP-P80	120	260	260	2500	-	15.71	1.81	3.32	21000	-

** Please use this order pattern: Order-No. + „stroke in mm“ (5 digits)
Example: SLIDELINE guide without brake D25 mm, stroke 1000 mm: 20342-01000

For linear drives see page 9-13, **for ATEX-version** see page 35, 36
For mountings see page 107-115