

You are currently not visiting the preferred language for your location. Do you want to go to your preferred language?

 English



AIR KNIFE SILVENT 302 L

Item number: 03020169156, 03020269156

SILVENT 302 L - 306 L: with 209 L nozzles. For applications that require a curtain of air across a broad surface. Typical areas of application include air cleaning, curtains around doors and entrances, paint drying, cleaning of conveyor belts, plywood sheets etc.

Technical data

Blowing force	1.5 lbs
Air consumption (scfm)	20.0
Sound level (dB(A))	80.9
Nozzle technology	Laval
Material (nozzle)	Zn
Connection	NPT 3/8"
Connection type	Female
Weight (lbs)	0.494
Max temp. (°F)	158
Max op. pressure (psi)	145

Benefits when replacing an open pipe

Replace open pipe Ø (inch)	1/4	
Replace open pipe Ø (inch)	1/4	
Noise reduction	21 [dB(A)]	77%
Energy savings	19.4 [scfm]	49%

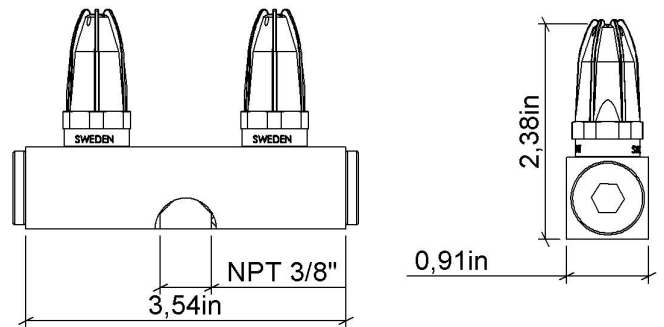
Material specification: EN AW 6063, Zn ZP0410 EN 12844, CW614N

Blowing properties at different pressures

Pressure (psi)	40	60	80	100	120
Blowing force (oz)	12.8	19.8	26.4	32.6	39.4
Air consumption (scfm)	13.1	16.8	22.0	27.3	32.0
Sound level (dB(A))	75.6	78.8	81.1	84.5	87.3

Blowing coverage

Blowing dist. (inch)	Blowing coverage (inch)
2	3.54
4	4.53
8	6.50
12	8.46
16	10-63
20	12.80



You are currently not visiting the preferred language for your location. Do you want to go to your preferred language?

 English



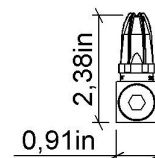
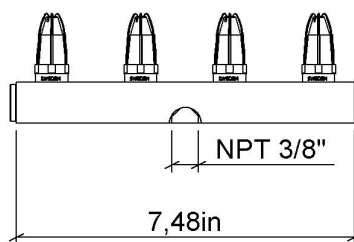
AIR KNIFE SILVENT 304 L

Item number: 03040169156, 03040269156

SILVENT 302 L - 306 L: with 209 L nozzles. For applications that require a curtain of air across a broad surface. Typical areas of application include air cleaning, curtains around doors and entrances, paint drying, cleaning of conveyor belts, plywood sheets etc.

Technical data

Blowing force	3.0 lbs
Air consumption (scfm)	40.0
Sound level (dB(A))	83.8
Nozzle technology	Laval
Material (nozzle)	Zn
Connection	NPT 3/8"
Connection type	Female
Weight (lbs)	0.913
Max temp. (°F)	158
Max op. pressure (psi)	145



Benefits when replacing an open pipe

Replace open pipe Ø (inch)	5/16	
Replace open pipe Ø (inch)	5/16	
Noise reduction	24 [dB(A)]	81%
Energy savings	29.5 [scfm]	42%

Material specification: EN AW 6063, Zn ZP0410 EN 12844, CW614N

Blowing properties at different pressures

Pressure (psi)	40	60	80	100	120
Blowing force (oz)	27.6	40.4	53.4	67.4	79.4
Air consumption (scfm)	27.7	34.7	44.2	53.6	62.2
Sound level (dB(A))	78.7	81.8	84.0	87.5	90.2

Blowing coverage

Blowing dist. (inch)	Blowing coverage (inch)
2	7.48
4	8.46
8	10.43
12	12.40
16	14.57
20	16.73

You are currently not visiting the preferred language for your location. Do you want to go to your preferred language?

 English



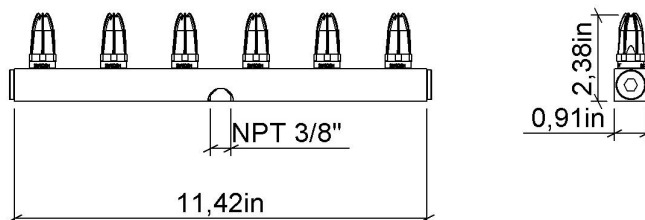
AIR KNIFE SILVENT 306 L

Item number: 03060169156, 03060269156

SILVENT 302 L - 306 L: with 209 L nozzles. For applications that require a curtain of air across a broad surface. Typical areas of application include air cleaning, curtains around doors and entrances, paint drying, cleaning of conveyor belts, plywood sheets etc.

Technical data

Blowing force	4.5 lbs
Air consumption (scfm)	60.0
Sound level (dB(A))	85
Nozzle technology	Laval
Material (nozzle)	Zn
Connection	NPT 3/8"
Connection type	Female
Weight (lbs)	1.340
Max temp. (°F)	158
Max op. pressure (psi)	145



Benefits when replacing an open pipe

Replace open pipe Ø (inch)	3/8	
Replace open pipe Ø (inch)	3/8	
Noise reduction	27 [dB(A)]	85%
Energy savings	48.9 [scfm]	45%

Material specification: EN AW 6063, Zn ZP0410 EN 12844, CW614N

Blowing properties at different pressures

Pressure (psi)	40	60	80	100	120
Blowing force (oz)	40.9	60.6	79.2	99.7	119.6
Air consumption (scfm)	42.1	54.2	67.3	80.6	99.4
Sound level (dB(A))	81.6	83.6	85.8	89.2	92.0

Blowing coverage

Blowing dist. (inch)	Blowing coverage (inch)
2	11.42
4	12.40
8	14.37
12	16.34
16	18-50
20	20.63