

C COLUMN SERVO PRESS

SERIES : CCB-SPK

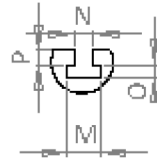
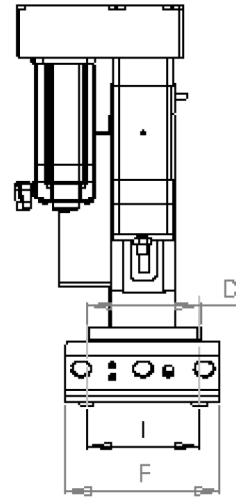
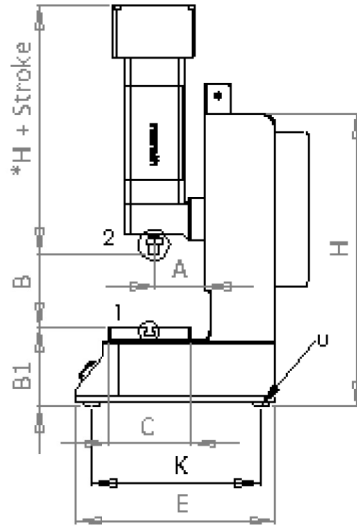
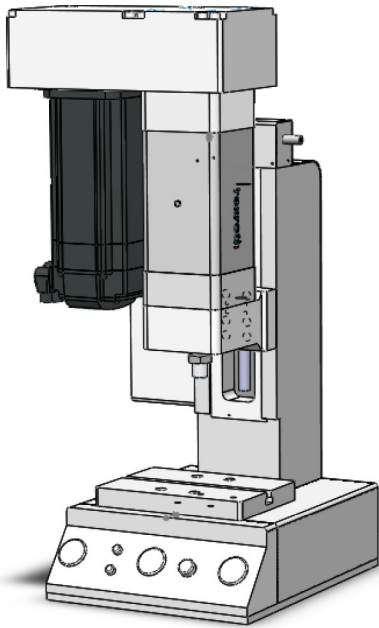
Made with welded structure, the C column press is fixed with adjustable daylight

*Capacity : 7KN to 30KN

*Stroke : 65 to 400mm

*Daylight: 100 to 280mm

*Power supply : 3x AC 200 to 500 V

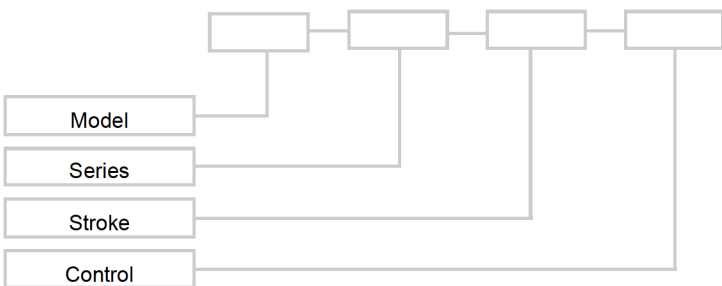


DETAIL 1



DETAIL 2

How to order



Series	A	B	B1	C	D	E	F	H	I	K	M	N	O	P	Q	R	U
007	80	100-280	145	150	185	350	260	780	200	300	20	12	8	9	300	M16x1.5	M8
012	100	100-275	155	160	200	375	280	800	210	320	20	12	8	9	320	M20x1.5	M8
019	100	100-220	156	160	210	390	300	882	220	330	20	12	8	9	330	M20x1.5	M8
030	120	100-250	155	160	220	420	300	798	220	360	20	12	8	9	360	M36x2	M8

* Add stroke of Press Cylinder