

FOUR COLUMN SERVO PRESS

SERIES : FCP-SPK

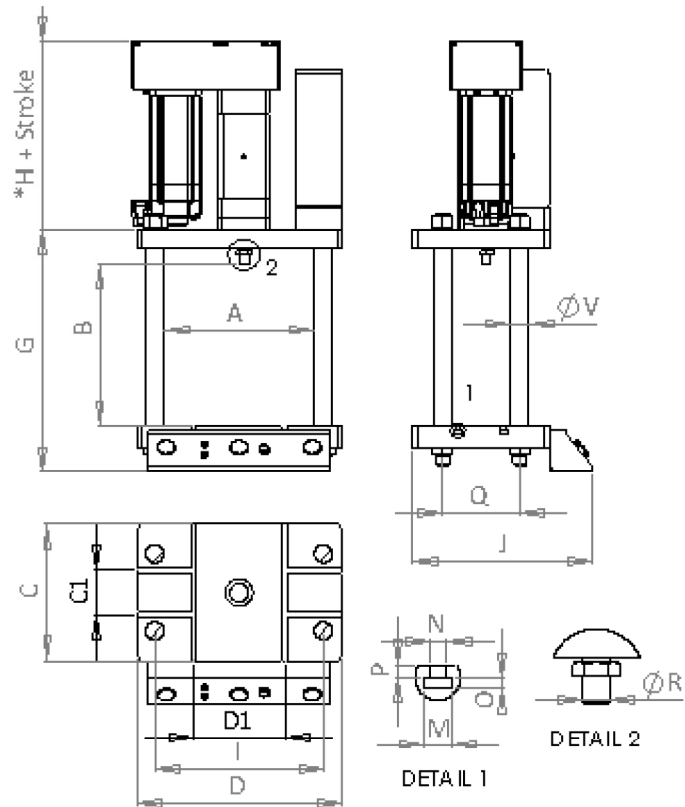
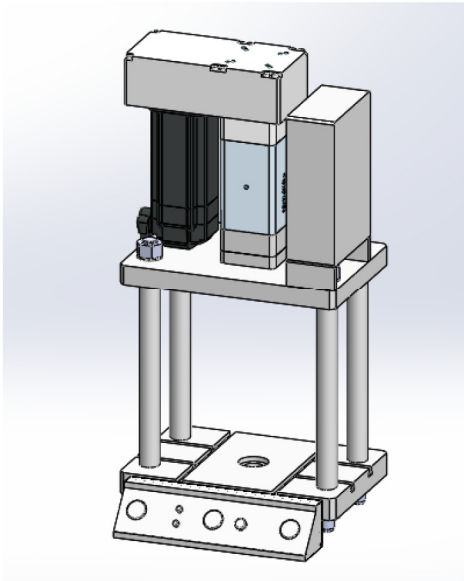
The four column press is fabricated with steel body and 4 round pillars

It is an economical design to fabricate

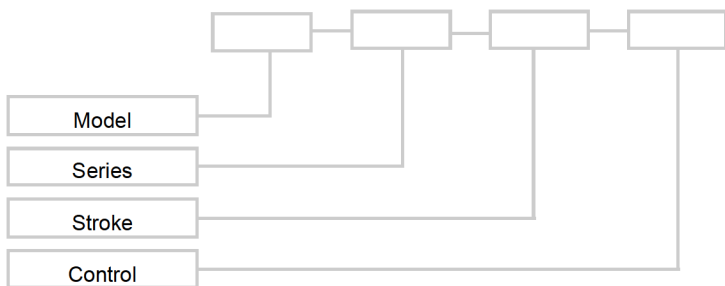
*Capacity : 7KN to 30KN

*Stroke : 65 to 400mm

*Power supply : 3x AC 200 to 500 V



How to order



Series	A	B	C	D	C1	D1	G	H	I	J	M	N	O	P	Q	U	V
007	249	330	270	350	100	200	495	260	285	365	20	12	8	9	160	M8	35
012	275	345	270	380	100	200	515	315	310	365	20	12	8	9	160	M8	35
019	330	355	300	450	100	200	532	315	370	395	20	12	8	9	170	M8	40
030	375	370	300	500	100	200	555	490	420	395	20	12	8	9	170	M8	45

* Add stroke of Press Cylinder