

# General Catalogue

mäder  
pressen



Manual presses

Pneumatic presses

Hydropneumatic presses

## Contents

### mäder, the company

#### Press workstations

#### Special designs

#### Manual presses

- ▶ Accessories for manual presses
- ▶ Toggle presses with round ram
- ▶ Toggle presses with square ram
- ▶ Rack and pinion presses with round ram
- ▶ Rack and pinion presses with square ram
- ▶ MicroPress® with round ram
- ▶ Process monitoring for manual presses

#### Pneumatic presses

- ▶ Pneumatic toggle presses
- ▶ Manually assisted pneumatic toggle presses
- ▶ Direct acting pneumatic presses
- ▶ DAP Portal Press
- ▶ DAF Direct acting press cylinders
- ▶ MicroPress® with square ram
- ▶ Hydropneumatic presses
- ▶ Slide tables
- ▶ Press heads
- ▶ Standard controllers
- ▶ Process monitoring for pneumatic presses

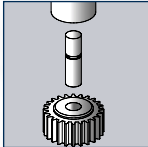
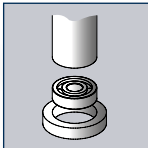
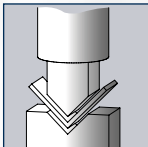
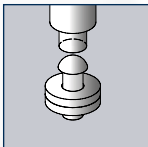
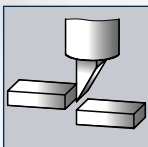
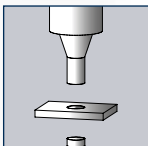
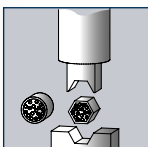
#### Press & Tool Concept

- ▶ Press/tool overview
- ▶ KP 2.1 Hand-operated toggle presses
- ▶ KP 3.1 Pneumatic presses
- ▶ Tool systems

### mäder presses, the applications

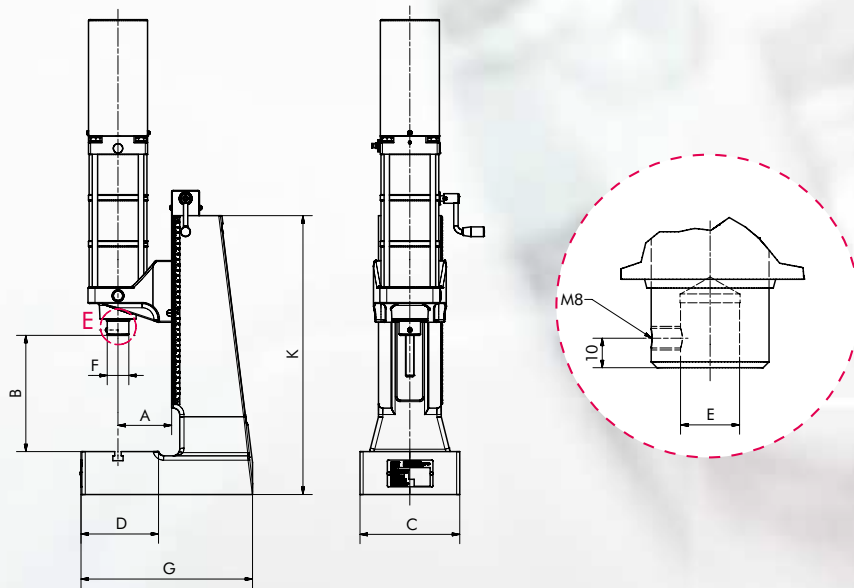
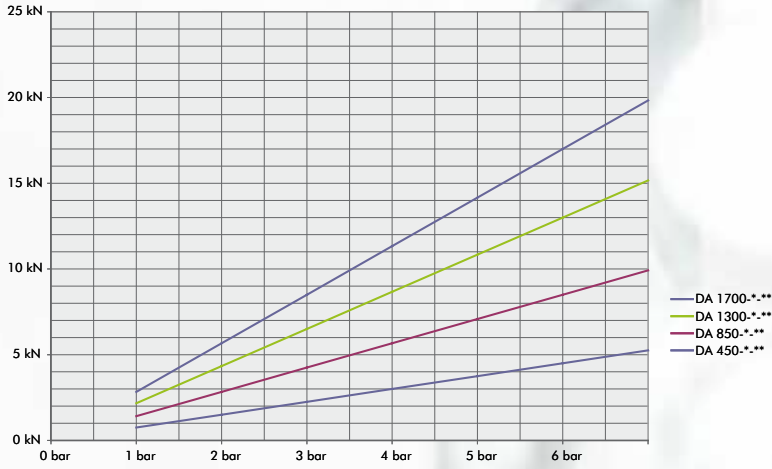
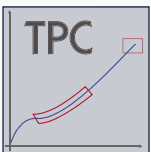
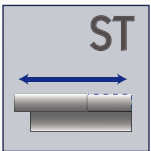
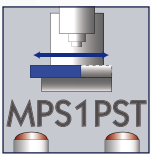
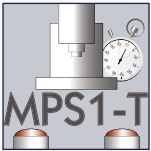
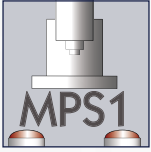
A number of processes can be performed quickly, precisely and easily with mäder presses.

For example:

3		
4		
5		
7		Assembly
8-11		
12-15		
16-17		Pressing
18-19		
20-21		
22-25		Bending
26-29		
30-31		Riveting
32-45		
46-47		
48-49		
50-51		Edge cutting
52-55		
56-57		
58		
59		Punching
60-63		
64		
65		Crimping
66-67		
68-69		
70-71		

We would be happy to determine the press force required based on your parts.

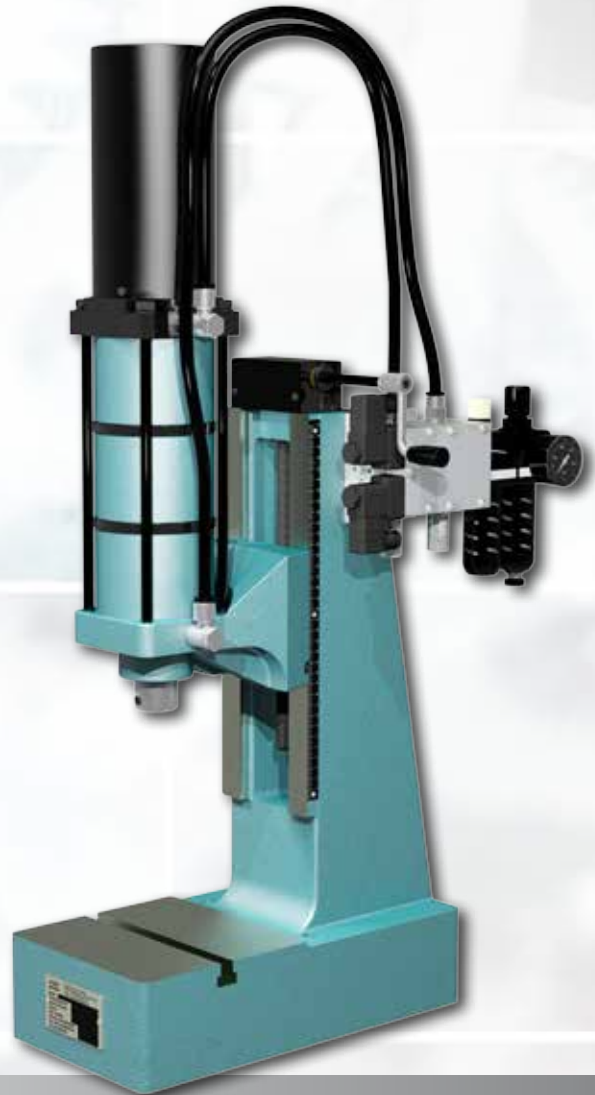
## The accessories



For details of fine stroke adjustment see page 31



DA 850-40-100



DA 1300-40-130

Direct-acting pneumatic presses

Type		DA 450-*.100	DA 850-*.100	DA 1300-*.100	DA 1700-*.100
Capacity at 6 bar	kN	4.5	8.5	13.0	17.0
Working stroke max.*	mm	40/60/80/100/120	40/60/80/100/120	40/60/80/100/120	40/60/80/100/120
Throat	A mm	100	100	100	100
Daylight	B mm	60 - 285	60 - 285	60 - 285	60 - 285
Table size	CxD mm	185 x 145	185 x 145	185 x 145	185 x 145
T-slot width similar to DIN 650	mm	12	12	12	12
Ram bore Ø x Depth	E mm	20 <sup>H7</sup> x 25	20 <sup>H7</sup> x 25	20 <sup>H7</sup> x 25	20 <sup>H7</sup> x 25
Ram Ø	F mm	40	40	40	40
Air connection		G 3/8"	G 3/8"	G 3/8"	G 3/8"
Air consumption/cm Cyl. stroke	l	1.0	1.5	2.1	2.6
Space requirement	CxG mm	185 x 320	185 x 320	185 x 320	185 x 320
Stand height	K mm	520	520	520	520
Weight	kg	ca. 62	ca. 65	ca. 68	ca. 71

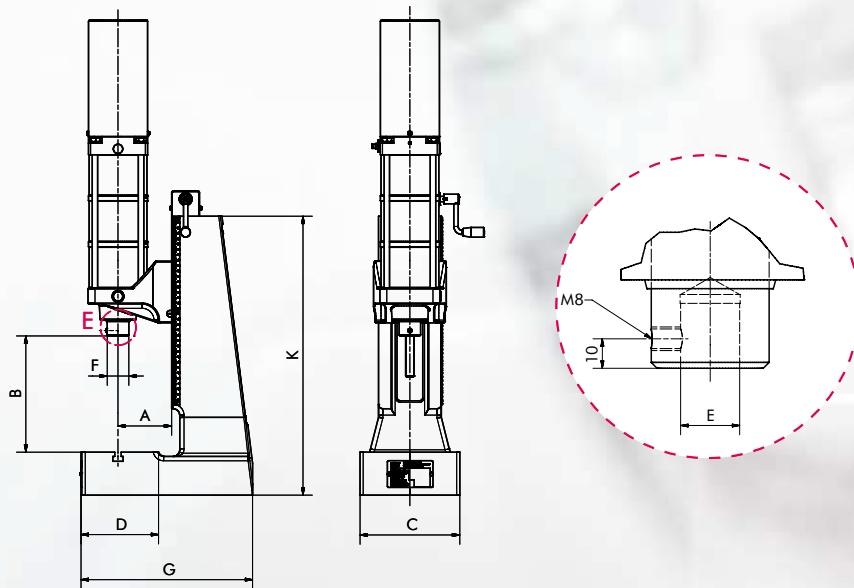
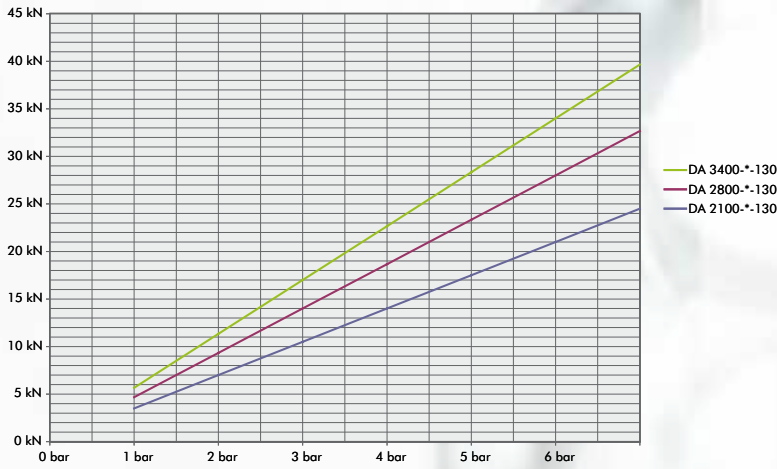
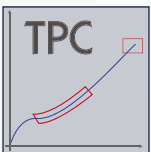
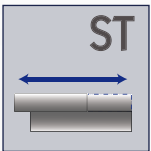
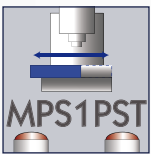
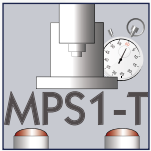
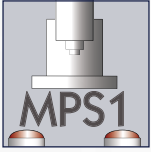
DA 450-*.130	DA 850-*.130	DA 1300-*.130	DA 1700-*.130
4.5	8.5	13.0	17.0
40/60/80/100/120	40/60/80/100/120	40/60/80/100/120	40/60/80/100/120
130	130	130	130
70 - 325	70 - 325	70 - 325	70 - 325
200 x 190	200 x 190	200 x 190	200 x 190
14	14	14	14
20 <sup>H7</sup> x 25	20 <sup>H7</sup> x 25	20 <sup>H7</sup> x 25	20 <sup>H7</sup> x 25
40	40	40	40
G 3/8"	G 3/8"	G 3/8"	G 3/8"
1.0	1.5	2.1	2.6
200 x 385	200 x 385	200 x 385	200 x 385
580	580	580	580
ca. 77	ca. 80	ca. 83	ca. 86

\* Specify the stroke length when ordering.

Valve and service unit only included with controller. Design may vary.



## The accessories



For details of fine stroke adjustment see page 31



DA 3400-40-130

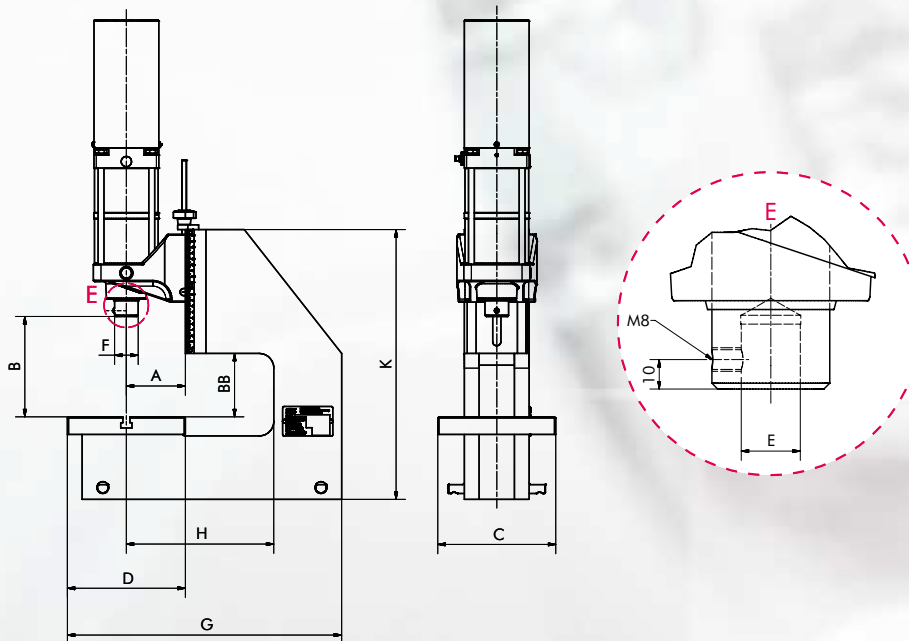
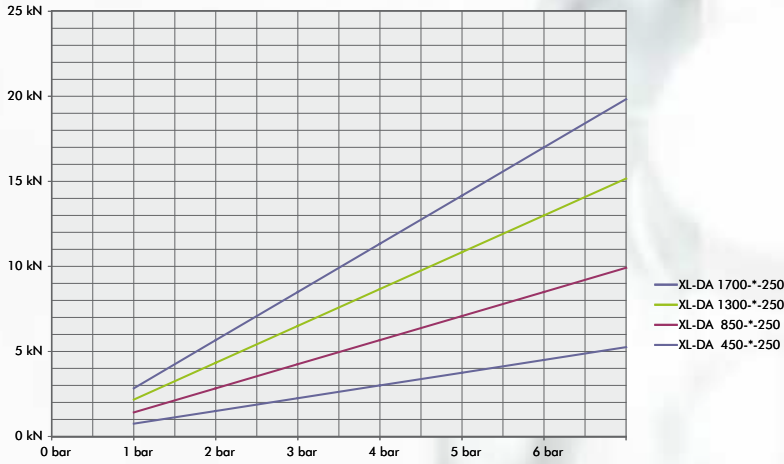
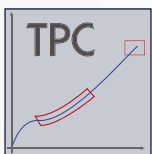
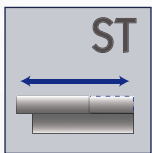
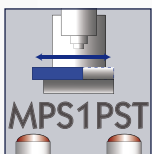
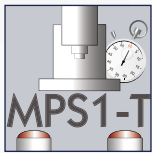
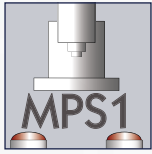
Type			DA 2100-*.130	DA 2800-*.130	DA 3400-*.130
Capacity at 6 bar		kN	21.0	28.0	34.0
Working stroke max.*		mm	40/60/80/100/120	40/60/80/100/120	40/60/80/100/120
Throat	A	mm	130	130	130
Daylight	B	mm	75 - 330	75 - 330	75 - 330
Table size	CxD	mm	200 x 190	200 x 190	200 x 190
T-slot width similar to DIN 650		mm	14	14	14
Ram bore Ø x Depth	E	mm	20 <sup>H7</sup> x 25	20 <sup>H7</sup> x 25	20 <sup>H7</sup> x 25
Ram Ø	F	mm	40	40	40
Air connection			G 3/8"	G 3/8"	G 3/8"
Air consumption/cm cyl. stroke		l	3.0	3.7	4.5
Space requirement	CxG	mm	200 x 385	200 x 385	200 x 385
Stand height	K	mm	580	580	580
Weight		kg	ca. 92	ca. 99	ca. 105

\* Specify the stroke length when ordering.

Valve and service unit only included with controller. Design may vary.

Direct-acting pneumatic presses

## The accessories



For details of fine stroke adjustment see page 31

# XL- Direct-acting pneumatic presses

## DA-Serie with round ram, with 250 mm throat



XL-DA 1300-40-250

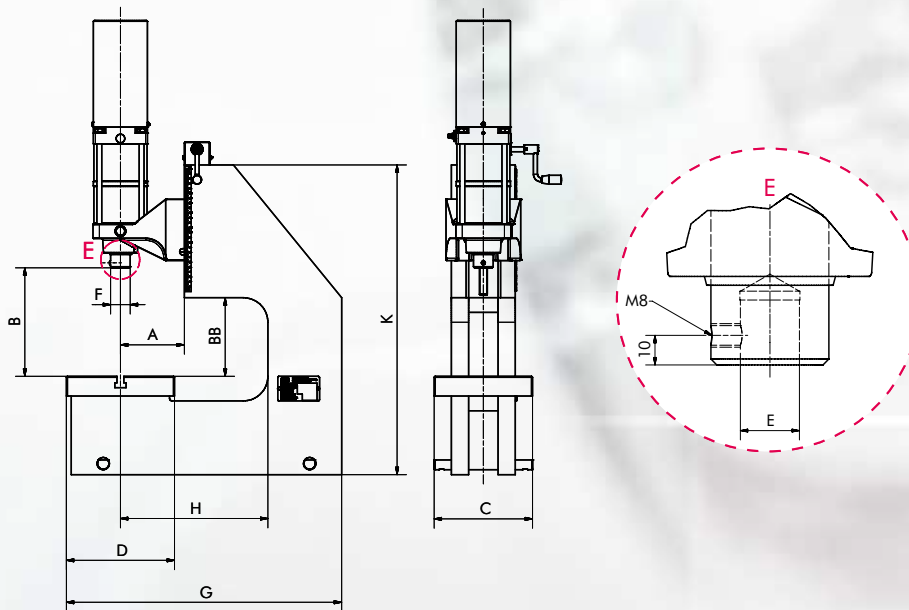
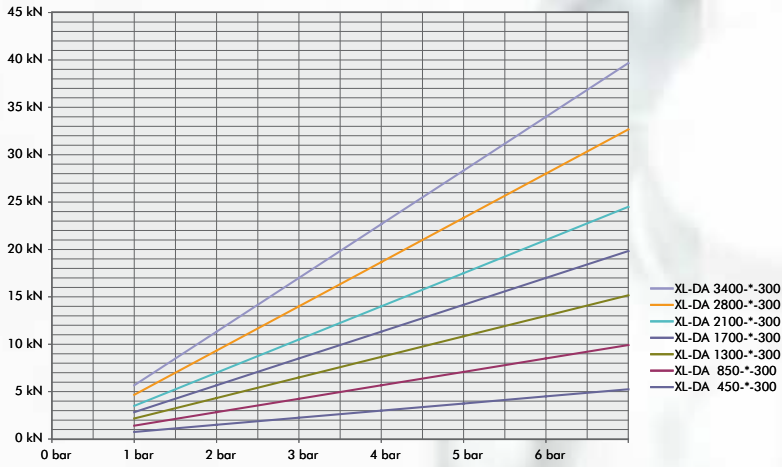
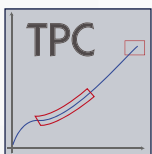
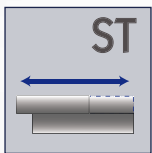
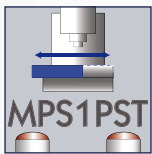
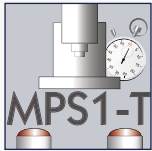
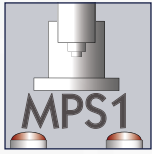
Type			XL-DA 450-*-250	XL-DA 850-*-250	XL-DA 1300-*-250	XL-DA 1700-*-250
Capacity at 6 bar		kN	4.5	8.5	13.0	17.0
Working stroke max.*		mm	40/60/80/100/120	40/60/80/100/120	40/60/80/100/120	40/60/80/100/120
Throat	A	mm	100	100	100	100
Throat C-frame	H	mm	250	250	250	250
Daylight	B	mm	75 - 175	75 - 175	75 - 175	75 - 175
Daylight C-frame	BB	mm	100	100	100	100
Table size	CxD	mm	200 x 200	200 x 200	200 x 200	200 x 200
T-slot width similar to DIN 650		mm	12	12	12	12
Ram bore Ø x Depth	E	mm	20 <sup>H7</sup> x 25	20 <sup>H7</sup> x 25	20 <sup>H7</sup> x 25	20 <sup>H7</sup> x 25
Ram Ø	F	mm	40	40	40	40
Air connection			G 3/8"	G 3/8"	G 3/8"	G 3/8"
Air consumption/cm cyl. stroke		l	1.0	1.5	2.1	2.6
Space requirement	CxG	mm	200 x 465	200 x 465	200 x 465	200 x 465
Stand height	K	mm	465	465	465	465
Weight		kg	ca. 57	ca. 60	ca. 63	ca. 66

\* Specify the stroke length when ordering.

Valve and service unit only included with controller. Design may vary.



## The accessories



For details of fine stroke adjustment see page 31

# XL- Direct-acting pneumatic presses

## DA-Series with round ram, with 300 mm throat



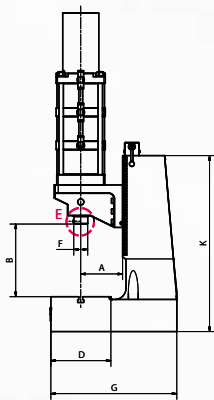
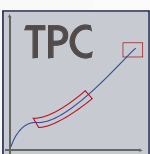
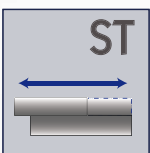
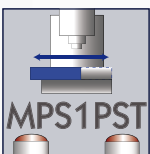
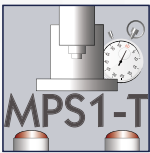
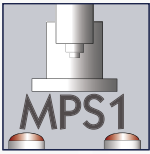
XL-DA 2800-40-300

Type			XL-DA 450*-300	XL-DA 850*-300	XL-DA 1300*-300	XL-DA 1700*-300	XL-DA 2100*-300	XL-DA 2800*-300	XL-DA 3400*-300
Capacity at 6 bar		kN	4.5	8.5	13.0	17.0	21.0	28.0	34.0
Working stroke max.*		mm	40/60/80/100/120	40/60/80/100/120	40/60/80/100/120	40/60/80/100/120	40/60/80/100/120	40/60/80/100/120	40/60/80/100/120
Throat	A	mm	130	130	130	130	130	130	130
Throat C-frame	H	mm	300	300	300	300	300	300	300
Daylight	B	mm	140 - 275	140 - 275	140 - 275	140 - 275	130 - 275	130 - 275	130 - 275
Daylight C-frame	BB	mm	158	158	158	158	158	158	158
Table size	CxD	mm	200 x 220	200 x 220	200 x 220	200 x 220	200 x 220	200 x 220	200 x 220
T-slot width similar to DIN 650		mm	14	14	14	14	14	14	14
Ram bore Ø x Depth	E	mm	20 <sup>H7</sup> x 25	20 <sup>H7</sup> x 25	20 <sup>H7</sup> x 25	20 <sup>H7</sup> x 25	20 <sup>H7</sup> x 25	20 <sup>H7</sup> x 25	20 <sup>H7</sup> x 25
Ram Ø	F	mm	40	40	40	40	40	40	40
Air connection			G 3/8"	G 3/8"	G 3/8"	G 3/8"	G 3/8"	G 3/8"	G 3/8"
Air consumption/cm Cyl. stroke		l	1.0	1.5	2.1	2.6	3.0	3.7	4.5
Space requirement	CxG	mm	200 x 560	200 x 560	200 x 560	200 x 560	200 x 560	200 x 560	200 x 560
Stand height	K	mm	630	630	630	630	630	630	630
Weight		kg	ca. 135	ca. 138	ca. 141	ca. 144	ca. 141	ca. 158	ca. 164

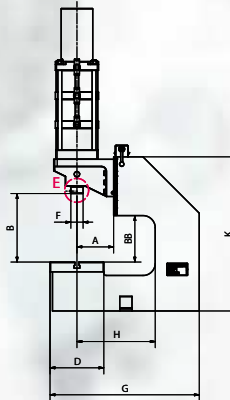
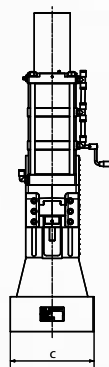
\* Specify the stroke length when ordering.

Valve and service unit only included with controller. Design may vary.

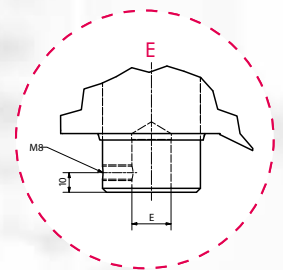
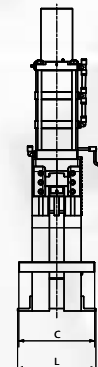
## The accessories\*



DA Type



XL-DA Type



For details of fine stroke adjustment see page 31